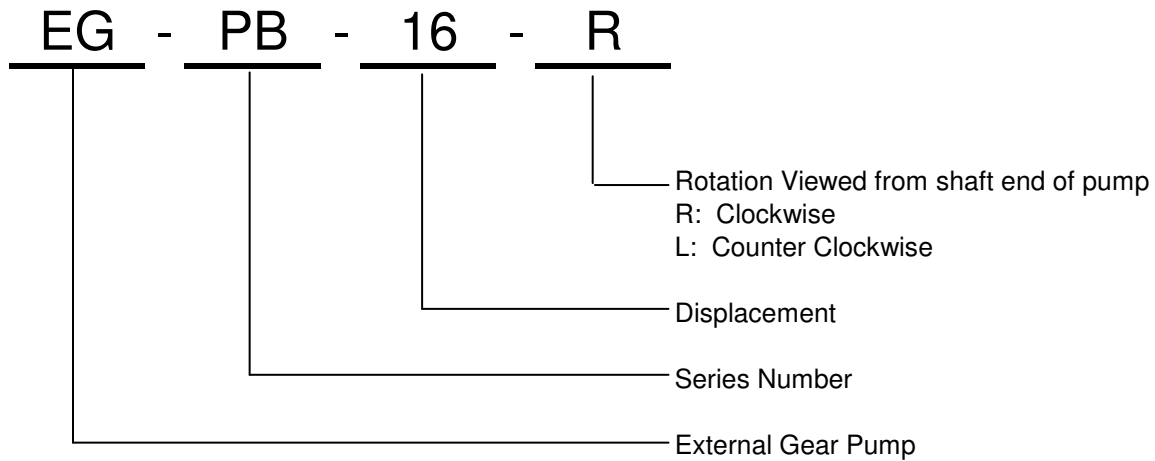


EXTERNAL GEAR PUMP



FEATURES:

1. High pressure and high efficiency.
2. Special low noise gear design.
3. Compact body.
4. Aluminum body.

SPECIFICATIONS:

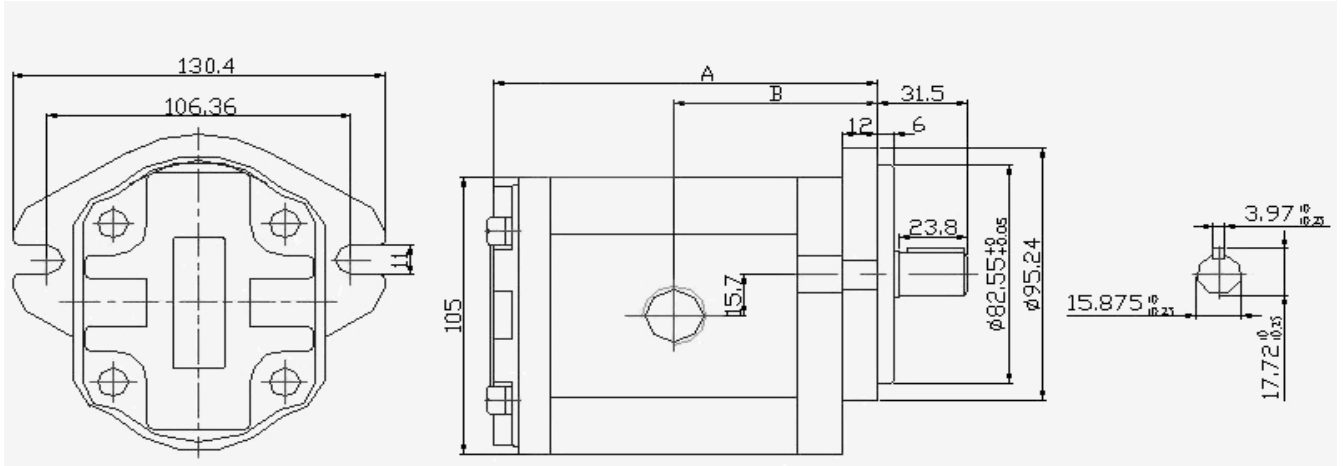
Model	Displacement in ³ /rev (cm ³ /rev)	Pressure psi (bar)		Speed (rpm)			Weight (lb)
		Rated	Max	Min	Rated	Max	
EG-PB-8	.51 (8.4)	3000 (207)	3500 (241)	600	1800	3000	7.28
EG-PB-11	.67 (11.0)			600			7.50
EG-PB-14	.87 (14.3)			500			7.72
EG-PB-16	.99 (16.5)			400			7.94
EG-PB-19	1.18 (19.5)			400			8.38



EXTERNAL GEAR PUMP

EG - PB - *

DIMENSIONS:



Model	Dimension A (mm)	Dimension B (mm)	Inlet	Outlet
EG-PB-8	104.1	56.05	SAE 12	SAE 8
EG-PB-11	108.1	58.05	SAE 12	SAE 8
EG-PB-14	114.1	61.05	SAE 12	SAE 8
EG-PB-16	118.1	63.05	SAE 12	SAE 8
EG-PA-19	123.1	65.55	SAE 12	SAE 8

Keyed Shaft 5/8"
SAE A Mount

