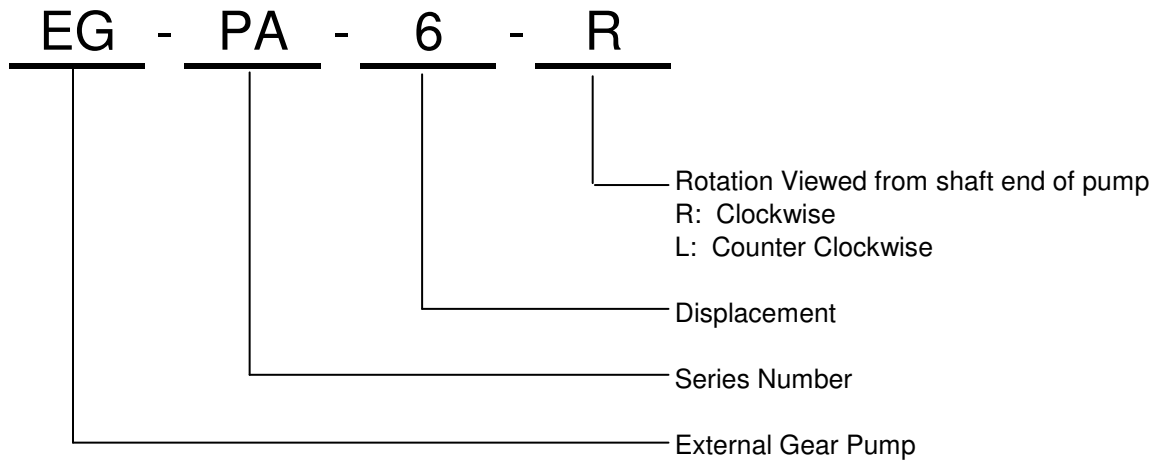
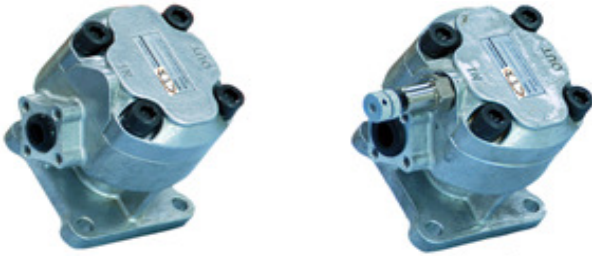


EXTERNAL GEAR PUMP



FEATURES:

1. High pressure and high efficiency.
2. Special low noise gear design.
3. Compact body.
4. Aluminum alloy cast body.

SPECIFICATIONS:

Model	Displacement in ³ /rev (cm ³ /rev)	Pressure psi (bar)		Speed (rpm)			Weight (lb)
		Rated	Max	Min	Rated	Max	
EG-PA-1	.066 (1.09)	3000 (207)	3500 (241)	1300	1800	6000	3.41
EG-PA-2	.12 (2.07)			900		6000	3.52
EG-PA-3	.18 (3.08)			850		6000	3.57
EG-PA-4	.24 (4.06)			800		5000	3.61
EG-PA-6	.37 (6.16)			700		4000	3.65
EG-PA-7	.46 (7.67)			600		3500	3.70
EG-PA-9	.56 (9.24)			550		3000	3.74
EG-PA-11	.65 (10.77)			500		2500	3.79

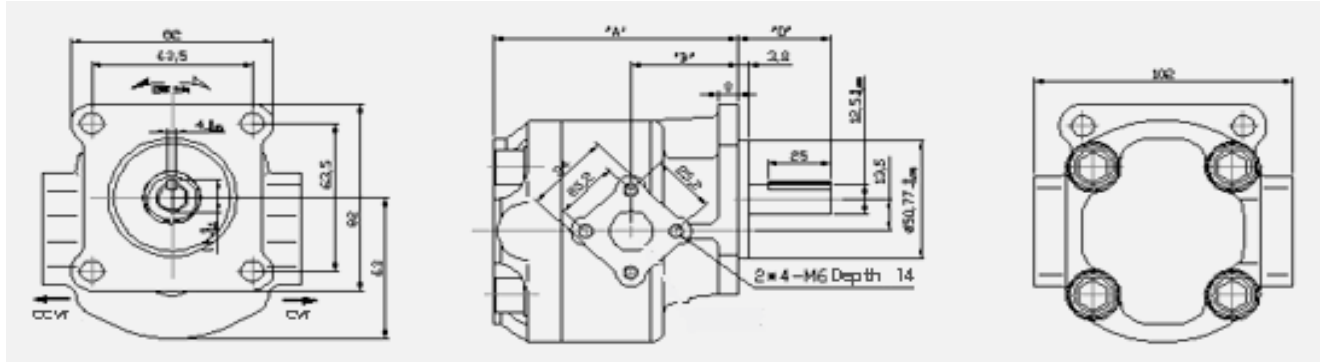


Control Technologies International Limited
 (519) 823-4466
www.c-t-i.ca

EXTERNAL GEAR PUMP

EG - PA - *

DIMENSIONS:



Model	Dimension A (mm)	Dimension B (mm)	Inlet	Outlet
EG-PA-1	96.9	42.5	SAE 10	SAE 10
EG-PA-2			SAE 10	SAE 10
EG-PA-3			SAE 10	SAE 10
EG-PA-4			SAE 10	SAE 10
EG-PA-6	96.9	42.5	SAE 10	SAE 10
EG-PA-7			SAE 10	SAE 10
EG-PA-9	96.9	42.5	SAE 10	SAE 10
EG-PA-11			SAE 10	SAE 10

Keyed Shaft 1/2"
SAE AA Mount
Shaft Length 1.28"



Control Technologies International Limited
 (519) 823-4466
www.c-t-i.ca