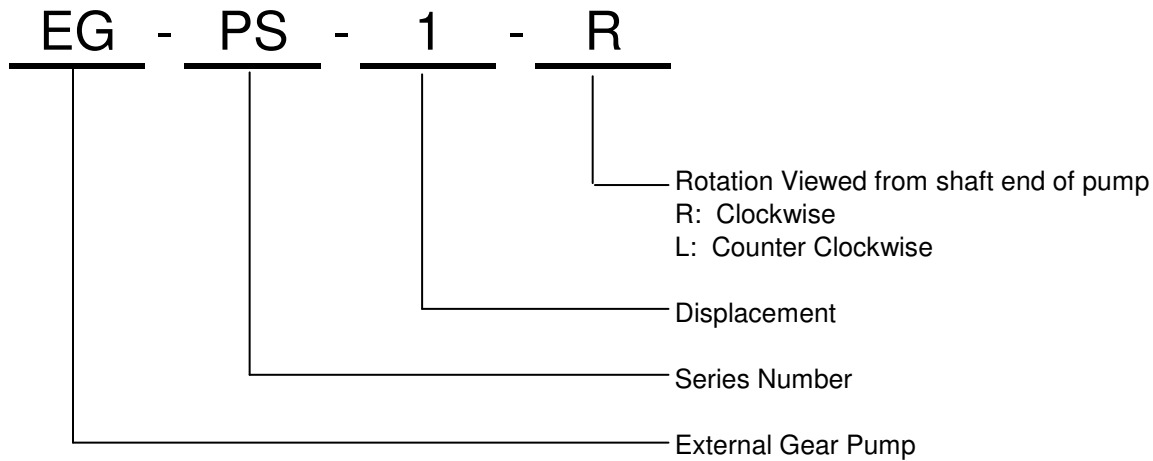


EXTERNAL GEAR PUMP



FEATURES:

1. High pressure and high efficiency.
2. Special low noise gear design.
3. Compact body.
4. Aluminum body.

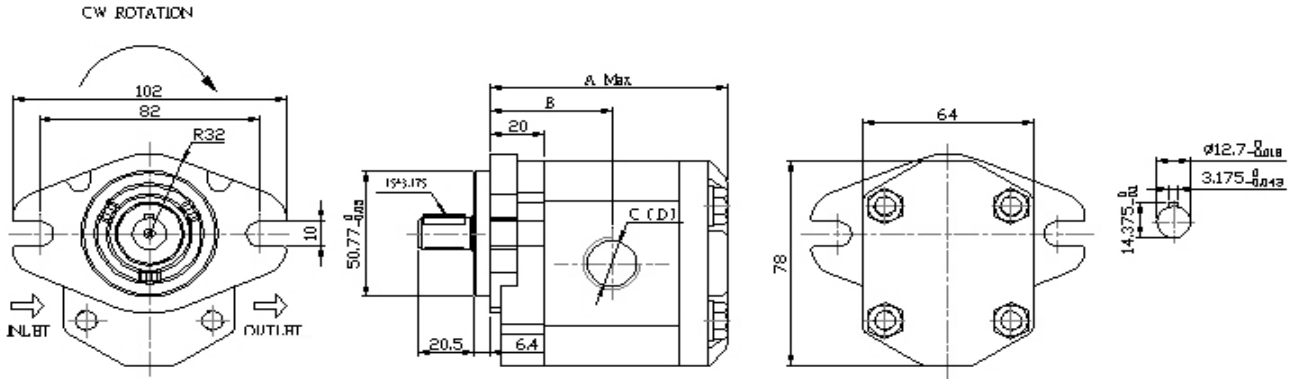
Model	Displacement in ³ /rev (cm ³ /rev)	Pressure psi (bar)		Speed (rpm)			Weight (lb)
		Rated	Max	Min	Rated	Max	
EG-PS-1	.061 (1)	3000 (207)	3500 (241)	1000	1800	4500	2.20
EG-PS-2	.112 (2)			600		4500	2.31
EG-PS-3	.183 (3)			600		4500	2.54
EG-PS-4	.244 (4)			600		4000	2.60
EG-PS-5	.305 (5)			600		3200	2.65
EG-PS-6	.366 (6)			600		3200	2.87
EG-PS-8	.476 (7.8)			600		3200	2.87



EXTERNAL GEAR PUMP

EG - PS - *

DIMENSIONS:



Model	Dimension A (mm)	Dimension B (mm)	Inlet	Outlet
EG-PS-1	87	42	SAE 8	SAE 8
EG-PS-2	89	43	SAE 8	SAE 8
EG-PS-3	93	45	SAE 10	SAE 10
EG-PS-4	96	46.5	SAE 10	SAE 10
EG-PS-5	99	48	SAE 10	SAE 10
EG-PS-6	102	49.5	SAE 10	SAE 10
EG-PS-8	107	52	SAE 10	SAE 10

Keyed Shaft 1/2"
SAE AA Mount



Control Technologies International Limited
 (519) 823-4466
www.c-t-i.ca