

# MIDDLE PRESSURE VARIABLE DISPLACEMENT VANE PUMP

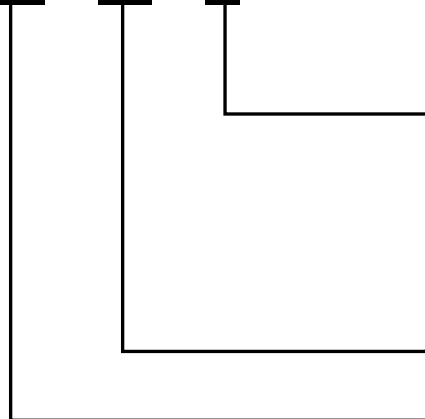


VPM-SF-30-B



HOW TO ORDER:

**VPM – SF – 30 – B**



Pressure range

A: 115-285

B: 215-500

C: 425-785

D: 715- 1000

E: 1000-1500

Displacement

Mounting Type

SF: SAE 2 bolt

DF: 4 bolt

Series number



Control Technologies International

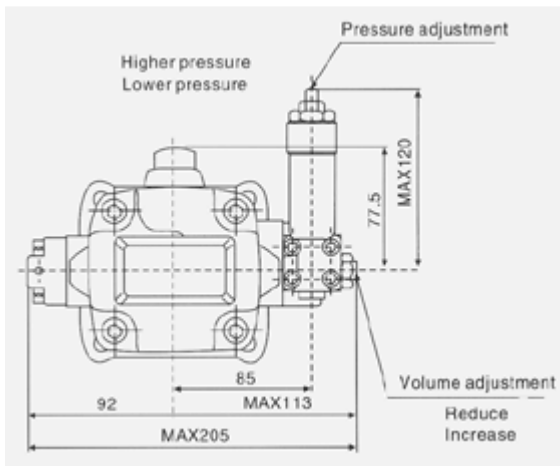
519 823 4466

[www.c-t-i.ca](http://www.c-t-i.ca)

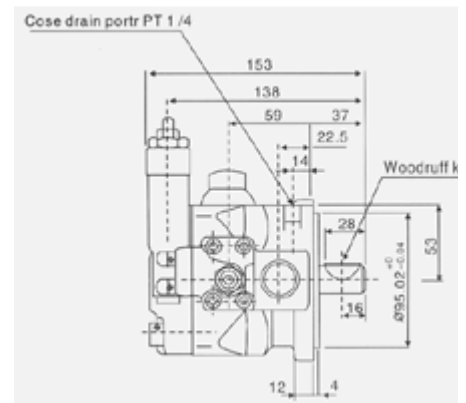
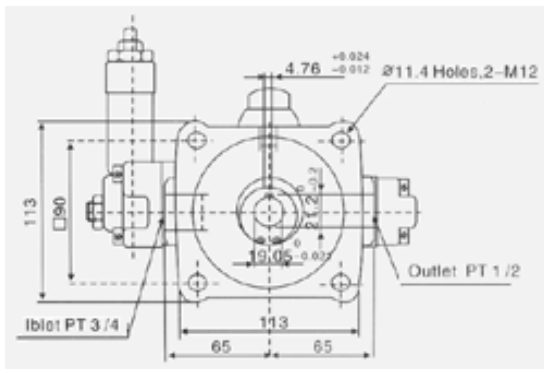
Technical Data

MODEL	Delivery at no load gpm	Pressure Range psi	Shaft Speed rpm		Max Pressure psi	Weight lbs Flange
	1800rpm		Max	Min		
VPM-SF-30-A VPM-SF-30-B VPM-SF-30-C VPM-SF-30-D	7.9	215-500 285-1000 700-1500 1500-2000	1800	800	500 1000 1500 2000	22 22 22 22
VPM-SF-40-A VPM-SF-40-B VPM-SF-40-C VPM-SF-40-D	10.5	215-500 285-1000 700-1500 1500-2000	1800	800	500 1000 1500 2000	22 22 22 22

Dimension



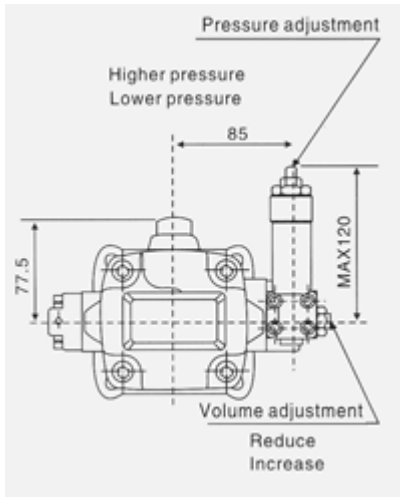
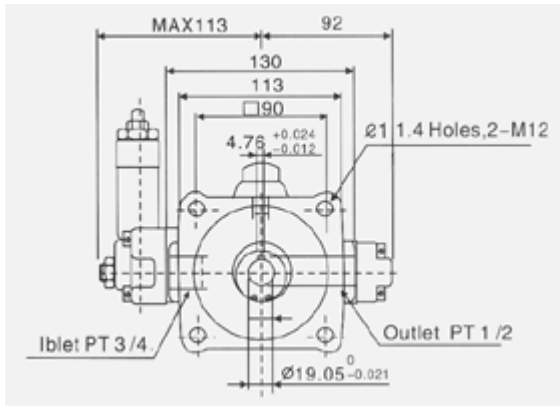
VPM-SF-※-※



Control Technologies International

519 823 4466

www.c-t-i.ca



Control Technologies International  
 519 823 4466  
[www.c-t-i.ca](http://www.c-t-i.ca)