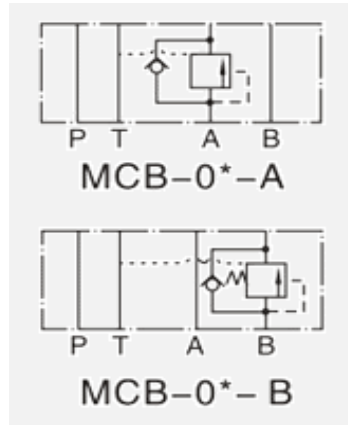


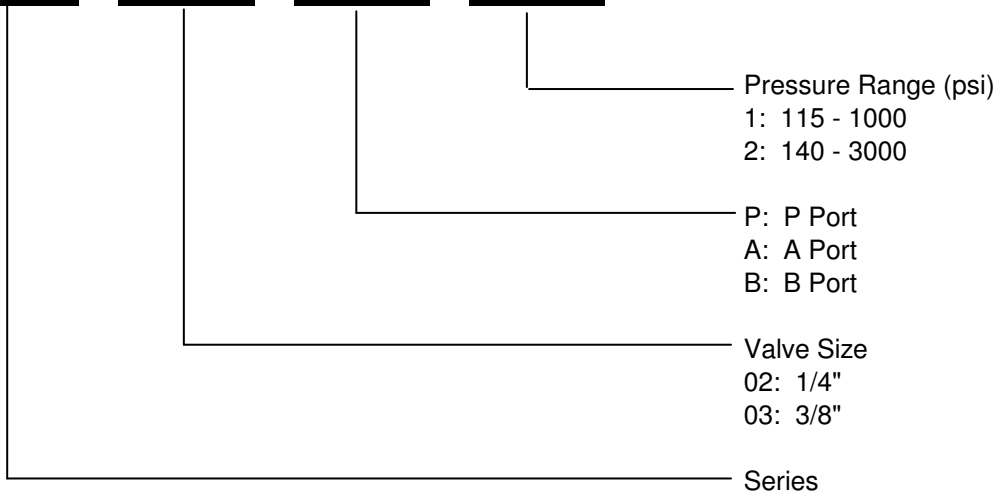
MODULAR COUNTER BALANCE VALVES



MCB



MCB - 02 - B - 1



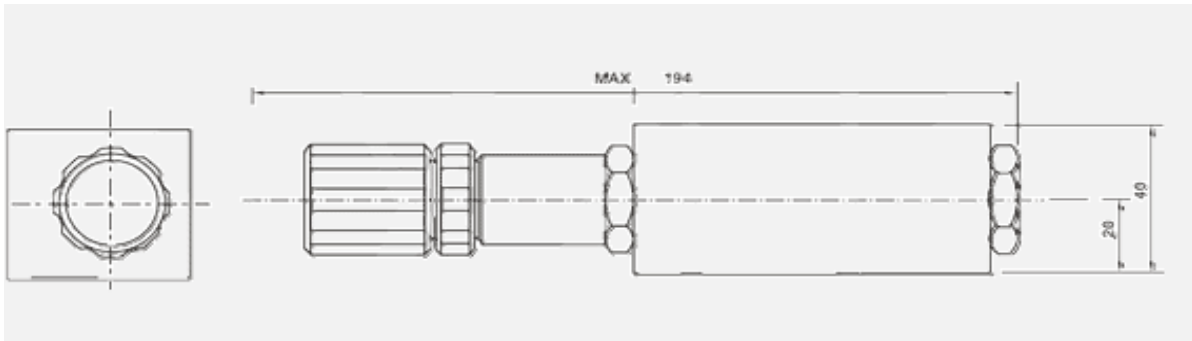
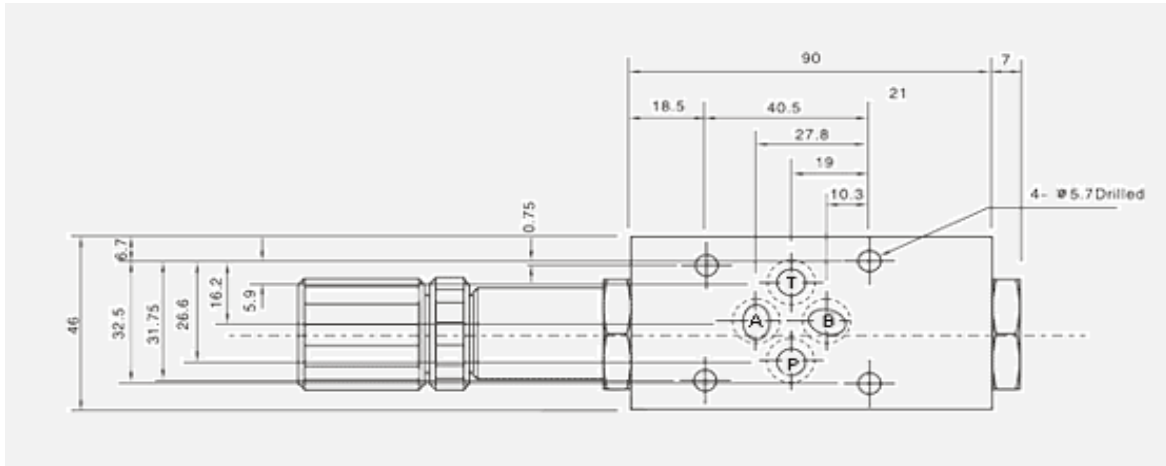
Model	Rated Pressure (psi)	Pressure Range	Rated Flow gpm (l/min)	Weight (lbs)
MCB-02-A MCB-02-B	3000	1,2	10.5 (40)	2.5
MCB-03-A MCB-03-B	3000	1,2	21 (80)	9.0



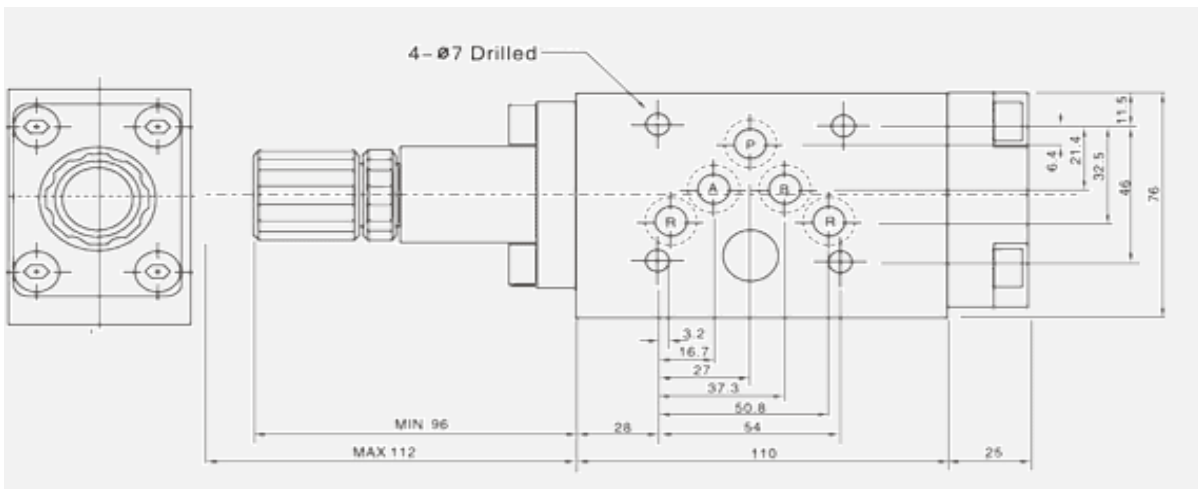
Control Technologies International Limited
 (519) 823-4466 www.c-t-i.ca

MODULAR COUNTER BALANCE VALVES

MCB-02



MCB-03



Control Technologies International Limited
(519) 823-4466
www.c-t-i.ca