

VARIABLE DISPLACEMENT VANE PUMP



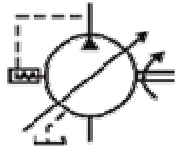
VP-SF-12/20



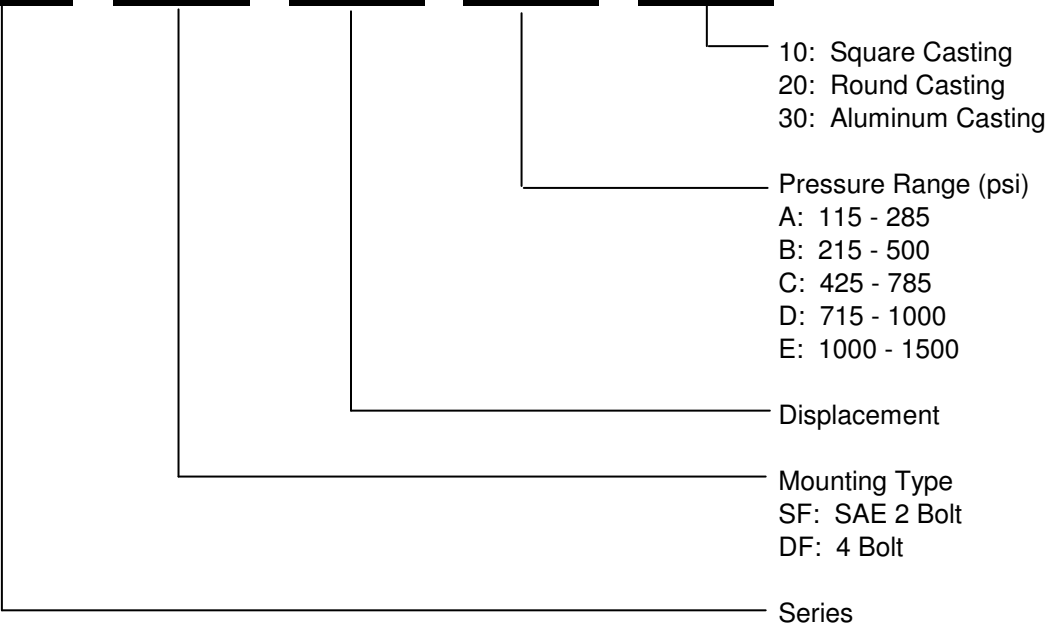
VP-SF-30/40-10



VP-SF-30/40-20



VP - SF - 20 - B - 10



VARIABLE DISPLACEMENT VANE PUMP

VP - SF - *

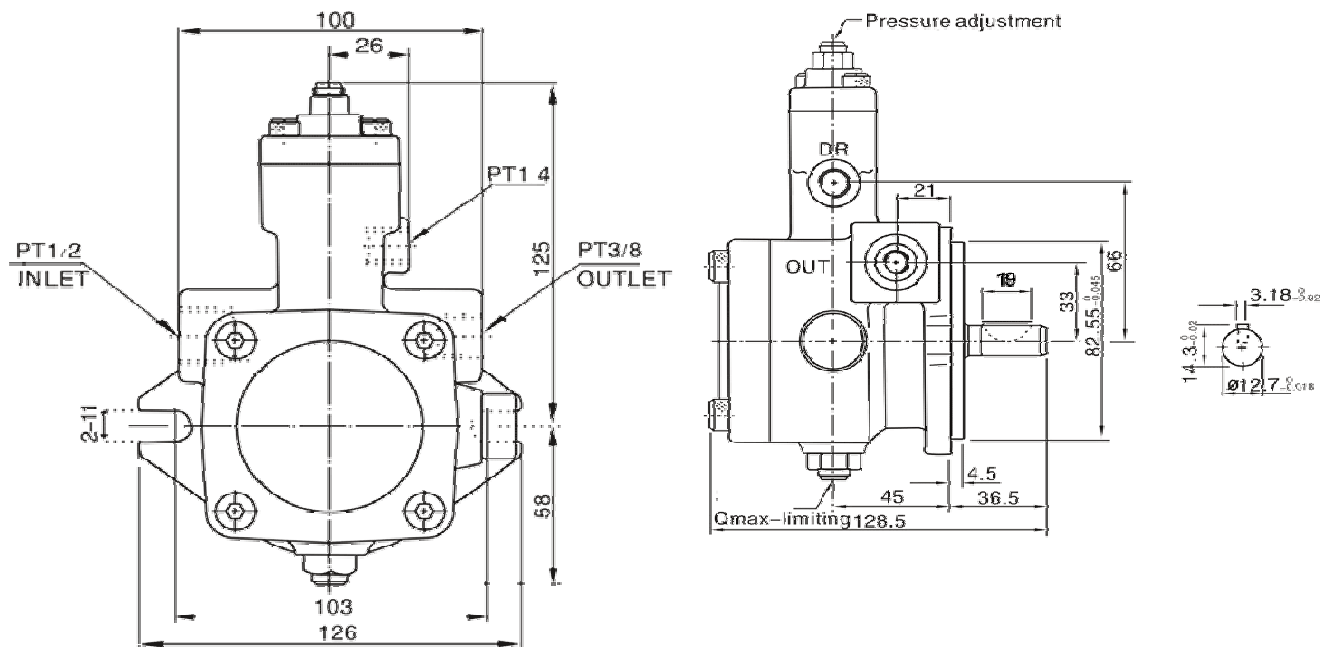
TECHNICAL DATA:

Model	Delivery at no load gpm (l/min)		Pressure Range (psi)	Shaft Speed (rpm)		Max Pressure (psi)	Weight (lbs) Flange
	1800 rpm	1500 rpm		Max	Min		
VP-SF-12-A	3.2 (12)	2.6 (10)	115 - 285	1800	800	285	11
VP-SF-12-B			215 - 500			500	11
VP-SF-12-C			425 - 785			785	11
VP-SF-12-D			715 - 1000			1000	11
VP-SF-12-E			1000 - 1500			1500	11
VP-SF-20-A	5.3 (20)	4.5 (17)	115 - 285	1800	800	20	11
VP-SF-20-B			215 - 500			35	11
VP-SF-20-C			425 - 785			55	11
VP-SF-20-D			715 - 1000			70	11
VP-SF-20-E			1000 - 1500			105	11
VP-SF-30-A	7.9 (30)	6.6 (25)	115 - 285	1800	800	285	20
VP-SF-30-B			215 - 500			500	20
VP-SF-30-C			425 - 785			785	20
VP-SF-30-D			715 - 1000			1000	20
VP-SF-30-E			1000 - 1500			1500	20
VP-SF-40-A	10.6 (40)	9.2 (35)	115 - 285	1800	800	285	20
VP-SF-40-B			215 - 500			500	20
VP-SF-40-C			425 - 785			785	20
VP-SF-40-D			715 - 1000			1000	20
VP-SF-40-E			1000 - 1500			1500	20

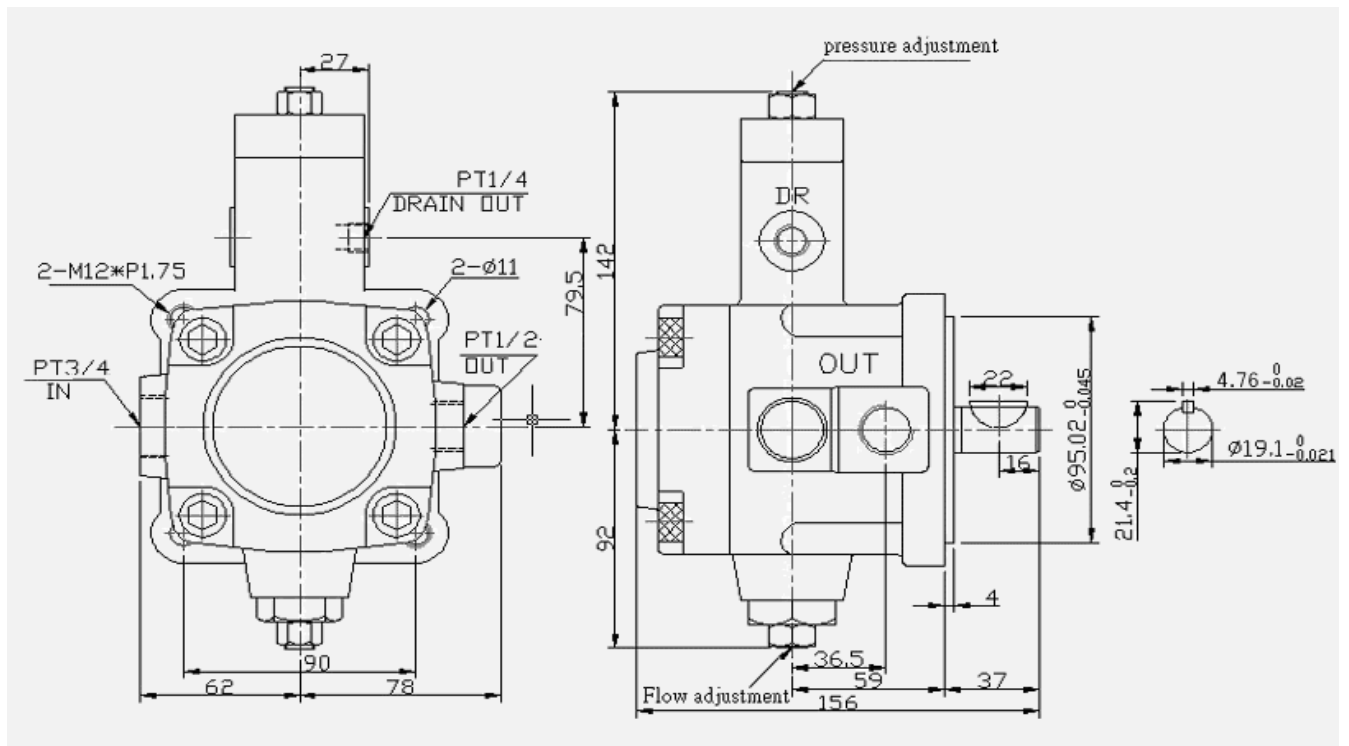
Ports	Inlet	Outlet	Drain
PT	3/4"	1/2"	1/4"
SAE	12	8	1/4"



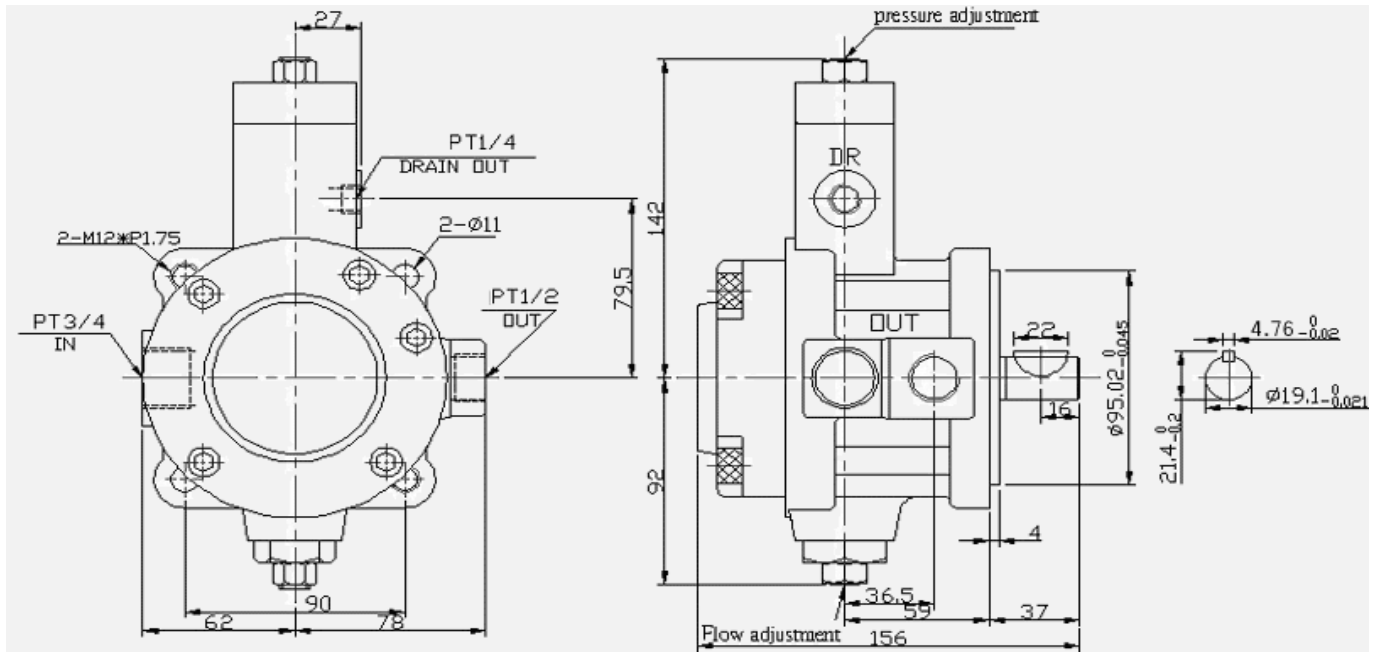
VP-SF-12/20



VP-SF-30/40-10



VP-SF-30/40-20



PERFORMANCE CURVE:

